

## MAGIKTIMER 4 IN 1 ELECTRONIC TIMER



The MT4X1 timer is four separate timers in one package. Each timer has provision for connection to its own coin acceptor, and has a separate load output terminal. The function of each timer is independent of the other. If one timer receives the required number of coins to start from its coin acceptor, only its load will be turned on.

### 1.0 SWITCH SETTINGS

To set a switch ON, depress the right side of the switch until it clicks into the down position. To turn a switch OFF, depress the left side until it clicks into the down position.

#### 1.1 COIN SETTING

Set the switches labeled COINS TO START such that they total the number of coins required to start each timer. This setting applies to all four timers. For example, to start any of the timers on 3 coins, set switches 1 and 2 on. To start any of the timers on 6 coins, set switches 2 and 4 on. Setting all coin switches off places the timers in a special pushbutton mode. See section 4.0 for details on this mode.

#### 1.2 TIME SETTING

Set the switches labeled SECONDS PER COIN such that they total the number of seconds per coin that the timers are to operate for. For example, to configure the timers for 30 seconds per coin, set switches 2, 4, 8, and 16 ON. To configure the timers for 40 seconds per coin, set switches 8 and 32 ON. If all the time switches are OFF, the timers will be set for 1 second per coin. The total time that the timers will operate for, once started, is equal to the seconds per coin multiplied by the coins to start. Coins deposited for a timer while that timer is operating will result in additional time being added to the total time for that timer (each pulse will add the value of the seconds per coin to the time left). There is no limit to the number of coins that may be accumulated, except that the maximum time that may be accumulated for any timer is 9 hours, 6 minutes, and 7 seconds,

### 2.0 INDICATOR LIGHTS

The green POWER light on the timer shows that power is being supplied to the timer. Each of the four timers has a red LOAD light that indicates that its load output is on and is currently being timed.

### 3.0 RESET

The reset button resets all the timers and cancels any existing time. Use a pen or similar object to press the recessed reset button.

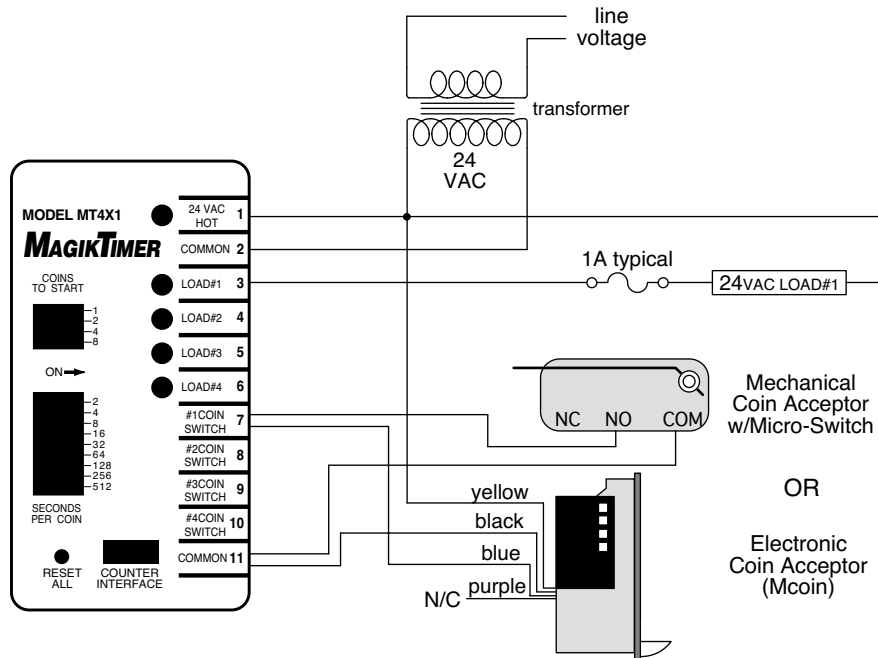
### 4.0 PUSHBUTTON MODE

If desired, the MT4X1 timer may be used as non-accumulating timed shutdown timer that operates with pushbuttons. By connecting normally open momentary pushbuttons to the COIN SWITCH inputs, and setting all the coin switches off, any of the timer loads can be started when the pushbutton for that timer is closed. While the load output for the timer is activated, any further closures of the pushbutton for that timer will NOT accumulate any further time for that timer. Essentially, once the timer load output is started by depressing the pushbutton, the timer will keep the load output on only for the time set as specified by the SECONDS PER COIN switches. Once the time has expired and the load output for the timer is turned off, the timer can be restarted by depressing the pushbutton for that timer.

The pushbutton mode is typically used in non-coin applications where the operator desires to provide activation of equipment that will shut off automatically after a specified amount of time. An example of such an application is a shower system where the user presses the pushbutton to start the shower. The shower will only operate for the specified time, regardless of whether the user repeatedly presses the pushbutton. Once the time has expired for the shower to operate, the user can press the pushbutton to restart the shower for another cycle.

# MAGIKIST

## MT4X1 WIRING DIAGRAM



### NOTES

- 1) 24VAC LOAD#2/3/4 are connected to LOAD#2/3/4 terminals in the same manner as 24VAC LOAD#1 is connected to LOAD#1 terminal.
- 2) Coin acceptors for #2/3/4 COIN SWITCH terminals are connected in the same manner as coin acceptor shown is connected to #1 COIN SWITCH terminal.
- 3) 24VAC LOAD typically consist of solenoids, motor starter, etc.
- 4) Load fuse must be installed.
- 5) Transformer must be Class 2.
- 6) For PUSHBUTTON MODE, connect single pole normally open momentary pushbutton switch in the same manner as Mechanical Coin Acceptor w/Micro-Switch.
- 7) Always turn power off before servicing any electrical system.
- 8) All field installations must meet applicable codes.